

LUMINO PRO

Streetlight



An innovative and durable street light, combining modern aesthetics with energy-efficient LED technology,

The LUMINO Pro Streetlight integrates cutting-edge technology and efficiency to deliver customised performance for a wide range of projects. Designed for illuminating area and streets, this luminaire offers adaptability and dependability. Key features include a choice between 3000K, 4000K or 5000K colour temperatures for desired ambiance, a robust die-cast aluminum build ensuring durability, an impressive efficiency of 150 lumens per watt, and a variety of optical options to meet diverse lighting requirements.



NEMA 7-PIN
SMART CITY READY



IK08



IP66



VARIOUS
BEAM ANGLE



FLEXIBLE
MOUNTING



0-10V
DIMMABLE



60MM
SPIGOT



7
YEAR
WARRANTY

Benefits

Perfectly integrated into smart city control

- Smart city ready with 7-pin NEMA socket as standard
- 0-10V dimming as standard

Fulfill various application

- Power range from 60W to 240W
- CCT available from 3000K to 5000K
- Up to 150 lm/W efficacy
- Flicker free

High reliability

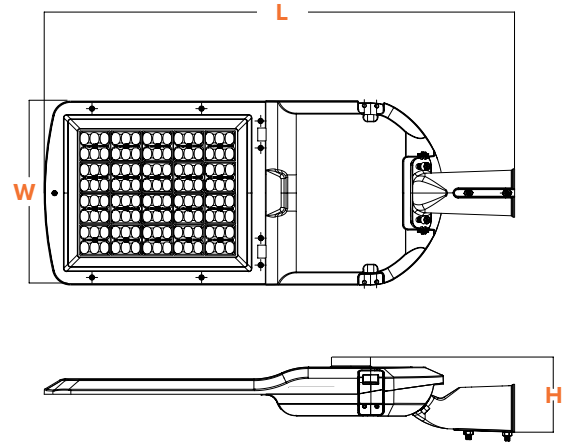
- Independent 10KV surge protection
- Robust aluminum body
- IP66 and IK08 rated

Applications

- General area lighting and street illumination
- City road and landscape lighting
- Pathways and parking lot
- Commercial district road lighting
- Industrial areas road lighting

Dimensions

POWER (W)	L (mm)	W (mm)	H (mm)
60	562	200	142
90/120	607	240	142
150/180	680	260	142
200/240	766	300	142



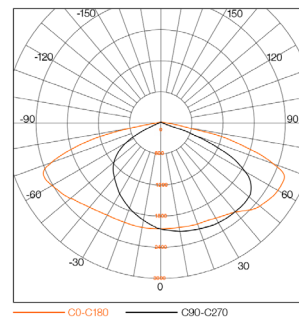
Specification

Body Material:	Di-cast Aluminum
Body Colour:	Silver
Mounting Diameter:	Φ60mm
IP Rating:	IP66
IK Rating:	IK08
Beam Angle:	Type 3, Type 4
CRI:	>70
Operating Temperature:	-25°C to 40°C
Input:	AC220-240
Surge Protection:	10KV
Shorting Cap:	Yes
Dimming	0-10v Dimmable, DALI (optional)
Lifespan:	54000h
Smart:	NEMA Connection
Warranty:	7 years

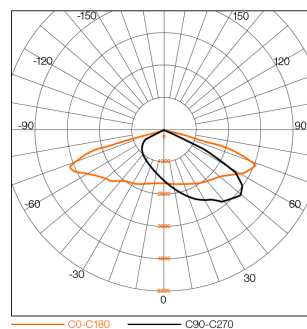
Photometrics

Light Distribution Curve

TYPE 3



TYPE 4



Due to the manufacturing processes of LED, the polar candela distribution and distance luminaries only reflect statistical figures and do not necessarily correspond to the actual parameters of individual product that may differ from the typical values.

Accessories

HS ST IP65 PE CELL FOR NEMA SOCKET

HSNEMAPE
4001266



HS ST VERTICAL WALL MOUNTING BRACKET BLACK - SPIGOT SIZE 40-60mm

HSWMBV4060
4001268



HS ST HORIZONTAL WALL MOUNTING BRACKET BLACK - SPIGOT SIZE 40-60mm

HSWMBH4060
4001267



HS ST SPIGOT ADAPTOR BLACK - SIZE 60-76mm

HSSA6076
4001269

